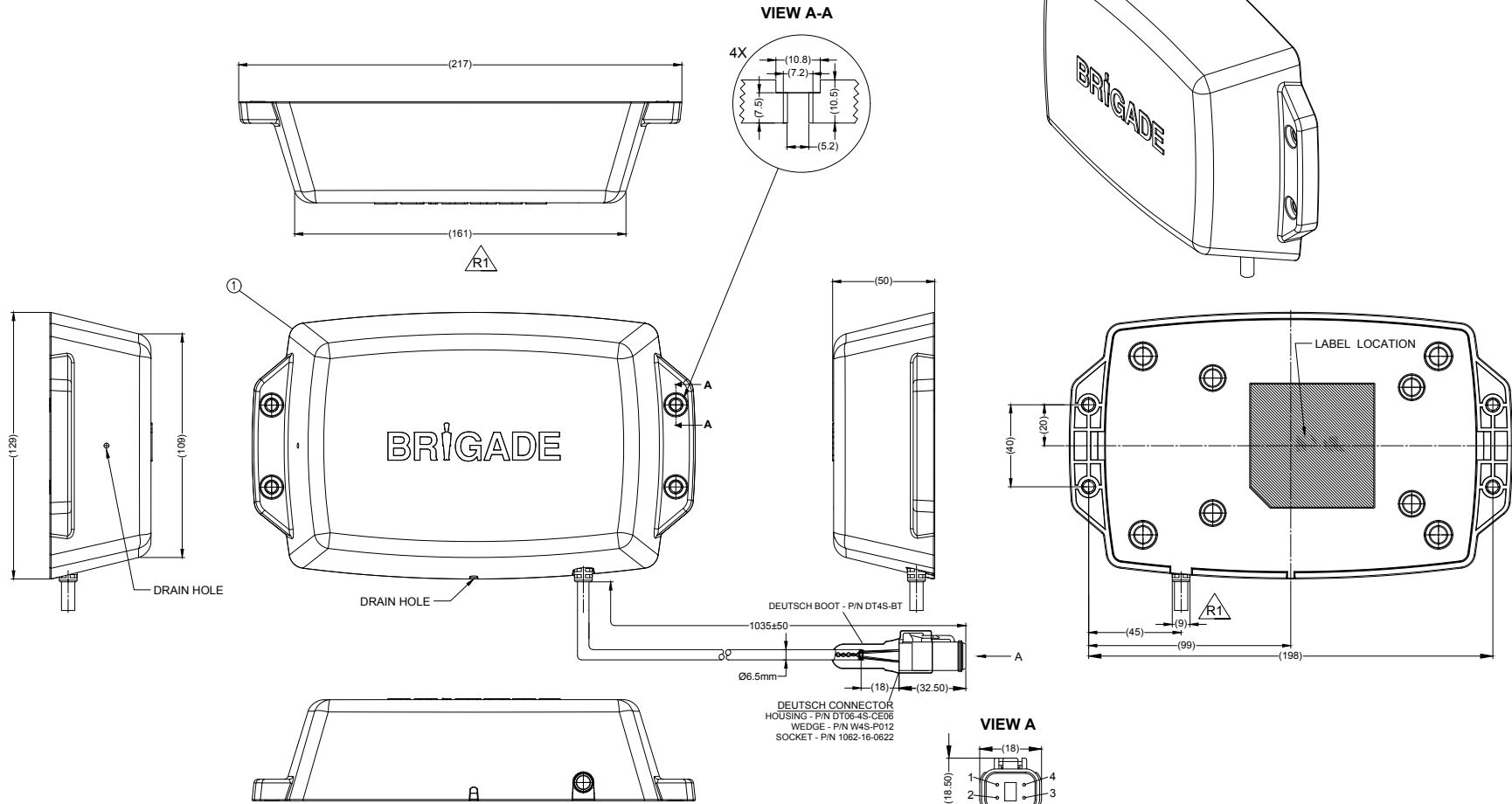


Revision Notes.				
R1 - Firmware version updated to 1.0.1 as per CR-A618. Tolerance of various nominal dimensions corrected				
APA: Sandy Wu	Drawn: R. Pentley	Checked: L. Pillay	Approved: B. Childs	Date: 04 APR 2018

ITEM	PART NO	QTY	MODEL / DESCRIPTION
①	(5267)	1	BS-9000S NETWORKED RADAR SENSOR
②	(5268)	1	NETWORKED RADAR SW LINK CARD (NOT SHOWN)
③	(4659)	1	RADAR SENSOR FIXING KIT (NOT SHOWN)



- NOTES:**
1. MATERIAL: ASA+PC.
 2. COLOUR: BLACK.
 3. FINISH: EXTERIOR SURFACES TO BE TEXTURED PER MOLD-TECH TEXTURE NO. MT11020.
 4. RADAR SENSOR IS SUPPLIED WITH FOUR M5X30MM BUTTON HEAD FIXING SCREWS, (SCM-435 GRADE CARBON STEEL WITH ZINC PLATING) AND FOUR M5 POLYMER INSERT LOCK NUTS (AISI-1006 GRADE CARBON STEEL WITH ZINC PLATING) NOT SHOWN IN DRAWING.
 5. REFER TO PRODUCT SPECIFICATIONS FOR MORE DETAILS.
 6. THE OUTSIDE CABLE INSULATION MUST END MINIMUM 20MM WITHIN THE BOOT.
 7. FIRMWARE VERSION RCW_1.0.1 TO BE PRELOADED TO THE SENSOR DURING MANUFACTURING.
 8. FOR PACKING AND LABELING DETAIL PLEASE REFER TO THE LATEST REVISION OF THE MASTER BOM
 9. CONFIGURATION AND TEST TOOL SW IS NOT SUPPLIED WITH PRODUCT BUT IS DOWNLOADABLE FROM BRIGADE WEBSITE

PIN	WIRE COLOUR	DESCRIPTION
1	BROWN	GND
2	GREEN	CAN HIGH (PAIR 1)
3	YELLOW	+12V
4	BLUE	CAN LOW (PAIR 1)

PROPRIETARY NOTICE
 THIS DESIGN AND TECHNICAL INFORMATION APPEARING ON THIS DRAWING IS THE PROPERTY OF BRIGADE ELECTRONICS, AND IS DISCLOSED IN CONFIDENCE. IT IS NOT TO BE COPIED, REPRODUCED, REVEALED TO OR EXPROPRIATED BY OTHERS, EITHER IN WHOLE OR IN PART WITHOUT THE EXPRESS WRITTEN CONSENT OF BRIGADE ELECTRONICS.



Assembly PI Approval Sandy Wu	Approved by B. John	Checked by R. Bates	Drawn by R. WILLIAMS
Angle of Projection 	Units mm	Scale N/A	Released 12-Oct-17
Status RELEASED	Assembly Ref BS-9000		
Part No 5266	BE-003575-01-17		